

Panasonic

Digital Video Interface Board

AJ-**YAD455**P

Operating Instructions

ENGLISH

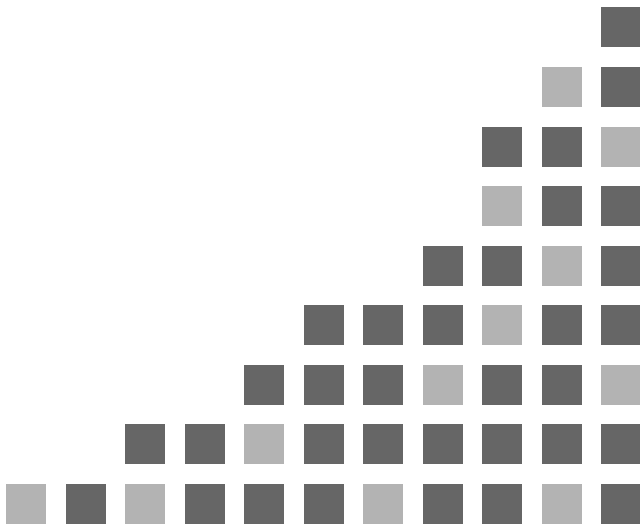
DEUTSCH

FRANÇAIS

ITALIANO

ESPAÑOL

日本語



Precautions

- Do not touch this product with wet hands.
- Do not drop this product or subject it to other strong shocks.
- Do not attempt to modify this product. Doing so may cause it to malfunction.

THE AJ-YAD455P IS A DIGITAL VIDEO INTERFACE BOARD WHICH IS DESIGNED TO BE USED ONLY WITH THE AJ-D455 DIGITAL VTR: IT CANNOT BE USED WITH EITHER THE AJ-D450 OR AJ-D440. REFER MOUNTING OF THE AJ-YAD455P INTO THE AJ-D455 TO AUTHORIZED SERVICE PERSONNEL.

Model supported:

AJ-D455 digital VTR

Features

The AJ-YAD455P is a digital video interface board for use exclusively with the AJ-D455.

By installing it in the AJ-D455, AV signals and time codes can be transferred digitally to personal computers or digital VTRs. (Compliant with the IEEE1394-1995 standard)

- Depending on the application software program of the computer concerned, it may not be possible to transfer the signals and time codes.

Contents

Precautions	1
Model supported	1
Features	1
Specifications.....	3
Accessories	3
Installation in AJ-D455	4
AJ-D455 settings	9
Precautions for use	12
Setup menus.....	13
DIAG menu	15
Warning messages	16

Specifications

■ Digital video interface board

Dimensions (W×H×D):

5-11/16"×5-9/16"×9/16" (143×140×13 mm)

Weight:

0.246 lb (112 g)

■ Input/output facility

Connector:

6-pin type

Transfer rate:

100 Mbps

Transfer data:

Compliant with IEC-61883/FDS (Part-1, 2)

Control commands:

Compliant with AV/C command set

Accessories

Connector board (×1)

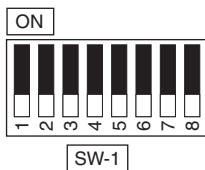
Connecting cable (×1)

Installation in AJ-D455

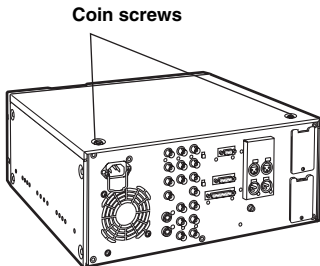
Consult your dealer concerning the installation of the digital video interface board.

The AJ-YAD455P must be installed in the AJ-D455 in order for it to be used. Follow the procedure below for installation.

1. Disconnect the power cord from the unit.
2. Check that the DIP switches on the AJ-YAD455P are set to the positions shown in the figure below.

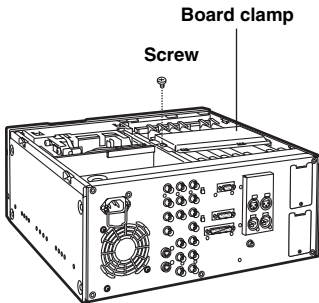


3. Remove the 2 coin screws and top panel from the unit.

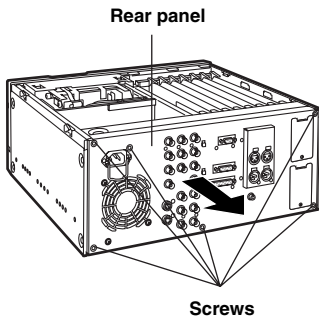


Installation in AJ-D455

4. Remove the screw and the board clamp.

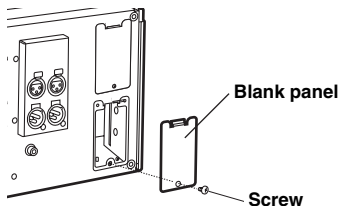


5. Remove the 6 screws and pull the rear panel directly backwards to remove.

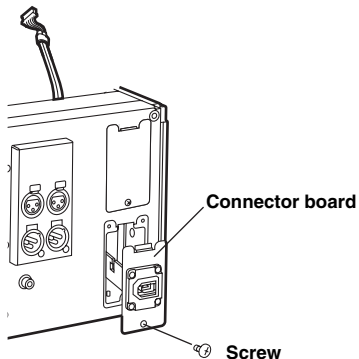


Installation in AJ-D455

6. Remove the screw and remove the blank panel from the rear panel.



7. Attach the accessory connector board to the rear panel. Pass the wiring through the rear panel, attach the top side of the connector board and secure the lower side of the board in place with the screw, as shown in the diagram below.

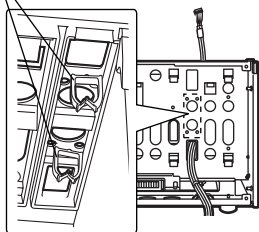


Installation in AJ-D455

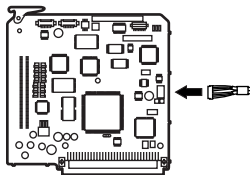
8. Pass the wiring through the unit and secure the rear panel with the 6 screws. Ensure that wiring and connections are as shown in the respective diagrams below.

Clampers

View from rear

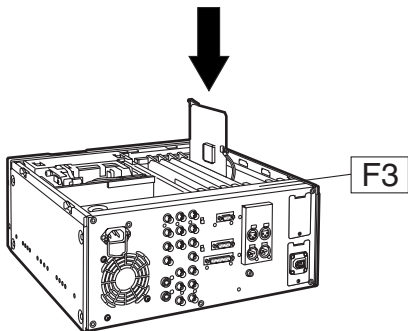


Wiring Diagram



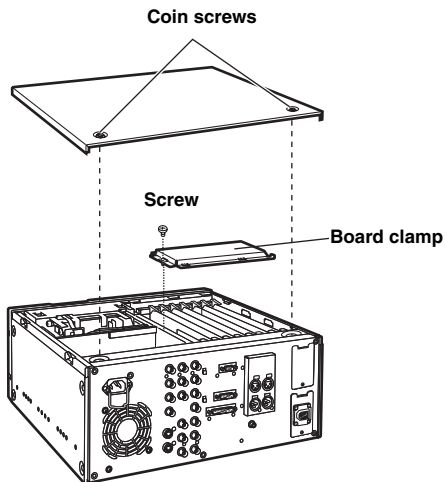
Connections Diagram

9. Insert the interface board into the front panel side of the slot marked "F3".



Installation in AJ-D455

- 10.** Attach the board clamp with the screw and secure the top panel to the unit with the 2 coin screws.



AJ-D455 settings

NTSC regions

1. Check that the setup menu item No.220 (AV/C CMD SEL) is set to "ON."
2. Check that "AUTO" has been selected as the setup menu item No.882 (DIF IN CH) and No.883 (DIF OUT CH) settings.
3. When inputting signals from the digital video interface board, set the VIDEO IN switch on the front panel to "DV/DVCPRO."

<Note>

- With some types of recording tapes, the input data format is converted automatically.

Recording tape	Input data	Recording format
DVCPRO	DVCPRO	DVCPRO
	DV	DVCPRO (*1)
DV	DVCPRO	DV
	DV	DV

*1: "CH1/CH2" or "CH3/CH4" can be selected by setup menu item No.889 (DIF AUD IN) when 32 KHz/4CH audio data is input.

AJ-D455 settings

NTSC regions

<Note>

- The output data format can be converted by setting the setup menu item No.881 (DIF TYPE).

DIF TYPE setting	Playback tape	Output format
DVCPRO	DVCPRO	DVCPRO
	DV	DVCPRO (*2)
DV	DVCPRO	DV
	DV	DV
AUTO	DVCPRO	DVCPRO
	DV	DV

*2: "CH1/CH2" or "CH3/CH4" can be selected by setup menu item No.890 (DIF AUD OUT) when the 32 KHz/4CH audio signals are recorded on the playback tape.

AJ-D455 settings

PAL regions

1. Check that the setup menu item No.220 (AV/C CMD SEL) is set to "ON."
2. Check that "AUTO" has been selected as the setup menu item No.882 (DIF IN CH) and No.883 (DIF OUT CH) settings.
3. When inputting signals from the digital video interface board, set the VIDEO IN switch on the front panel to "DV/DVCPRO."

<Note>

- When the recording tape is in the DVCPRO format, DV format input data cannot be received or recorded. Similarly, when it is in the DV format, DVCPRO format input data cannot be received or recorded.

Recording tape	Input data	Recording format
DVCPRO	DVCPRO	DVCPRO
	DV	Receiving and recording of data not possible.
DV	DVCPRO	Receiving and recording of data not possible.
	DV	DV

Precautions for use

- Connect the AJ-YAD455P with other units in a 1:1 format.
- Use the special-purpose cable (AJ-DTC2P or AJ-DTC4P) to connect the AJ-YAD455P with the AJ-D455, AJ-D250 or AJ-D230H.
- Turning the power of the connected units ON or OFF or connecting or disconnecting the interface cable may disrupt the AV signals.
- It may take some moments for the system to stabilize when the input signals have been switched or when operation has been transferred to another mode. Proceed with recording operations after the system has stabilized.
- When the digital video interface input has been selected for recording, the AUDIO REC LEVEL control on the front panel will not work.
- When the AJ-D455 is used as the recorder VTR, insert and assemble editing using the digital video interface input cannot be performed.
- When the signals from slow mode playback are input using the digital video interface and then recorded, the audio signals will be recorded as muted.
- CUE signals cannot be transmitted with the digital video interface. It is also not possible to record multiplex audio signals on the CUE track.

Setup menus

The following setup menu items can be used when the AJ-YAD455P has been installed in the AJ-D455.

Item		Setting		Description of settings
No.	Super-imposed display	No.	Super-imposed display	
220	AV/C CMD SEL	<u>0000</u> 0001	<u>OFF</u> ON	For selecting whether to use the digital video interface AV/C command when the REMOTE/LOCAL switch is at the REMOTE position. 0: The AV/C command is not used. 1: The AV/C command is used.
881	DIF TYPE (*1)	0000 0001 <u>0002</u>	DVCPRO DV <u>AUTO</u>	For setting the format used for output. 0: The format is forcibly set to DVCPRO for output. 1: The format is forcibly set to DV for output. 2: The same format as that of the playback tape is set.
882	DIF IN CH	0000 0063 <u>0064</u>	0 63 <u>AUTO</u>	For setting the input channels. 0-63: These are fixed at designated values. 64: This is not fixed at a designated value. It is initialized to 63 when the power is turned on or when the cable is connected or disconnected.

*1: This item does not appear with the PAL system.

The underlining indicates the factory setting.

Setup menus

Item		Setting		Description of settings
No.	Super-imposed display	No.	Super-imposed display	
883	DIF OUT CH	0000 0063 <u>0064</u>	0 63 <u>AUTO</u>	For setting the output channels. 0-63: These are fixed at designated values. 64: This is not fixed at a designated value. It is initialized to 63 when the power is turned on or when the cable is connected or disconnected.
886	DIF CONFIG	<u>0000</u> 0001 0255	<u>DFLT</u> 1 255	Expansion menu Normally, the "DFLT" setting is used for this item. For further details, consult your dealer.
889	DIF AUD IN (*1)	<u>0000</u> 0001	<u>CH1&2</u> <u>CH3&4</u>	For selecting the channels whose audio signals will be recorded on the tape when a 4-channel audio mode DV format data is to be received and recorded onto a DVCPRO tape. 0: CH1 and CH2 of the DV format data received are selected. 1: CH3 and CH4 of the DV format data received are selected.
890	DIF AUD OUT (*1)	<u>0000</u> 0001	<u>CH1&2</u> <u>CH3&4</u>	For selecting the channels of the audio signals when a 4-channel audio mode DV tape is to be played back and the signals are to be output in the DVCPRO format. 0: CH1 and CH2 of the DV tape are selected. 1: CH3 and CH4 of the DV tape are selected.

*1: This item does not appear with the PAL system.

The underlining indicates the factory setting.

DIAG menu

By installing the AJ-YAD455P in the AJ-D455, a DIAG menu screen showing information relating to the digital video interface is additionally provided.

For details on the DIAG menu display method, refer to the operating instructions of the AJ-D455.

Item	Description
EUI-64	Indicates the NODE UNIQUE ID of this unit.
NODE CNT	Indicates the number of local bus connections.
MY ID	Indicates the current PHY ID of this unit.
ROOT ID	Indicates the PHY ID of the root on the local path.
IRM ID	Indicates the PHY ID of the Isochronous Resource Manager.
IN-CH	Indicates the current input channel number.
OUT-CH	Indicates the current output channel number.
DIF SPEED	Indicates the current transfer rate.
GAP CNT	Indicates the current gap count value.
STA	Indicates the input/output status.
DIF	Indicates the format of the data received or transmitted.
N/P	Indicates the NTSC or PAL information of the data received or transmitted.
VIDEO	Indicates the video information of the data received or transmitted.
AUDIO	Indicates the audio information of the data received or transmitted.

Warning messages

By installing the AJ-YAD455P in the AJ-D455, the following warning messages are additionally provided.

These messages will appear on the mode display when "T&S&M" has been selected as the setup menu item No.003 (DISPLAY SEL) setting.

Display on monitor screen (counter display)	Description	Operation
UNKNOWN SIG (E-04)	The signals which have been input from the digital video interface have neither the DVCPRO nor DV format.	*1
INVALID VIDEO SIG (E-16)	The compressed video signals which have been input from the digital video interface are invalid.	*1
INVALID AUDIO SIG (E-17)	The audio signals which have been input from the digital video interface are invalid.	*2
INVALID TC SIG (E-18)	The time code information contained in the signals which have been input from the digital video interface is invalid.	*3
COPY PROTECTED (E-91)	The copy protect information which has been input from the digital video interface is copy protected when a DV cassette has been inserted.	*4

*1: This warning is displayed only during recording operations. When it appears, the video signals are recorded as blank burst and the audio signals are recorded as muted.

*2: This warning is displayed only during recording operations. When it appears, the audio signals are recorded as muted.

*3: This warning is displayed only during recording operations. When it appears, the internally generated time code is recorded.

*4: This warning is displayed at all times. When it appears, a recording operation cannot be initiated from any mode other than recording. When it appears during a recording operation, the mode is transferred to stop.

Panasonic

PANASONIC BROADCAST & TELEVISION SYSTEMS COMPANY
DIVISION OF MATSUSHITA ELECTRIC CORPORATION OF AMERICA

Executive Office:

3330 Cahuenga Blvd W., Los Angeles, CA 90068 (323) 436-3500

EASTERN ZONE:

One Panasonic Way 4E-7, Secaucus, NJ 07094 (201) 348-7621

Southeast Region:

1225 Northbrook Parkway, Ste 1-160, Suwanee, GA 30024 (770) 338-6835

Central Region:

1707 N Randall Road E1-C-1, Elgin, IL 60123 (847) 468-5200

WESTERN ZONE:

3330 Cahuenga Blvd W., Los Angeles, CA 90068 (323) 436-3500

Government Marketing Department:

52 West Gude Drive, Rockville, MD 20850 (301) 738-3840

Broadcast PARTS INFORMATION & ORDERING:

9:00 a.m. – 5:00 p.m. (EST) (800) 334-4881/24 Hr. Fax (800) 334-4880

Emergency after hour parts orders (800) 334-4881

TECHNICAL SUPPORT:

Emergency 24 Hour Service (800) 222-0741

Panasonic Canada Inc.

5770 Ambler Drive, Mississauga, Ontario L4W 2T3 (905) 624-5010

Panasonic de Mexico S.A. de C.V.

Av angel Urza Num. 1209 Col. de Valle 03100 Mexico, D.F. (52) 1 951 2127

Panasonic Sales Company

Division of Matsushita Electric of Puerto Rico Inc.

San Gabriel Industrial Park, 65th Infantry Ave., Km. 9.5, Carolina, Puerto Rico
00630 (787) 750-4300

Panasonic Broadcast Europe

Panasonic Broadcast Europe Ltd

West Forest Gate, Wellington Road, Wokingham, Berkshire RG40 2AQ U.K.

Tel: 0118 902 9200

松下電器産業株式会社 AVC社 システム事業グループ

☎ 571-8503 大阪府門真市松葉町2番15号 ☎ (06) 6901-1161

Printed in Japan
VQT9174

S0401Y □